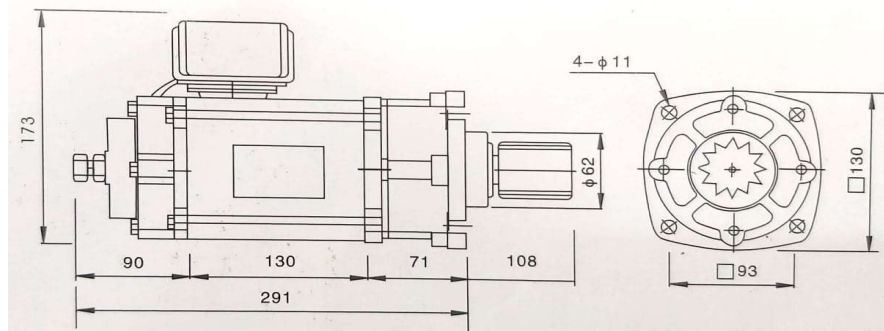




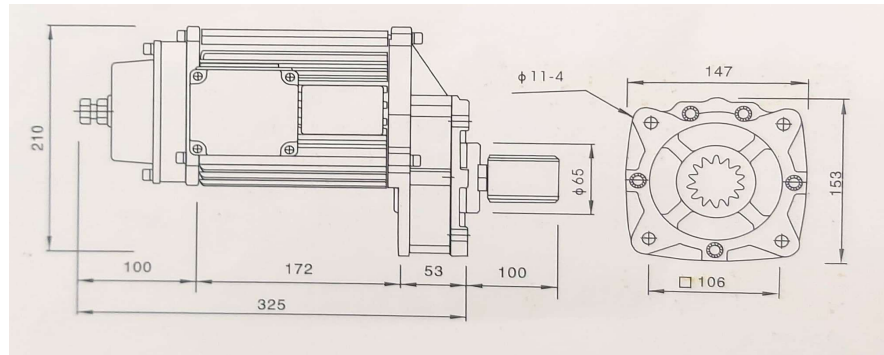
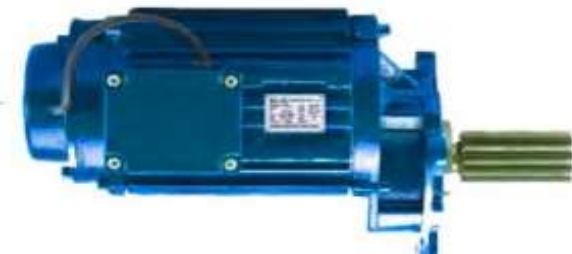
Gear Reducer

KD-030



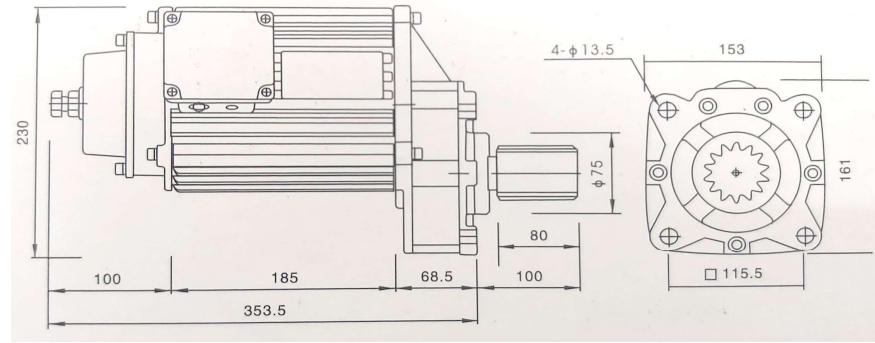
Model	Number of Poles	Gear Teeth	Motor (kw)	Shaft Output 50Hz (rpm)
KD-030	4P	M3 x 17T	0.25	133

KD-050



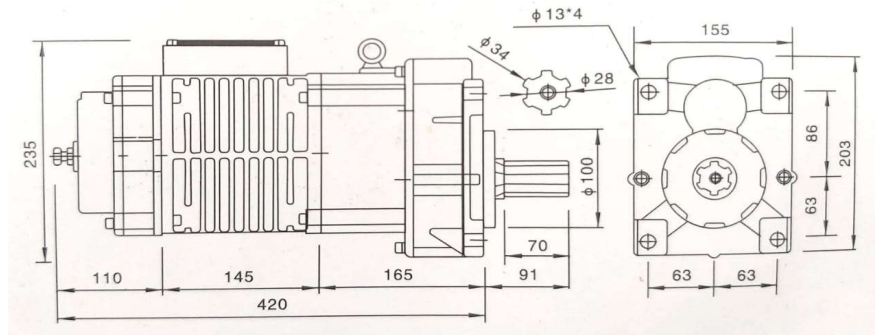
Model	Number of Poles	Gear Teeth	Motor (kw)	Shaft Output 50Hz (rpm)
KD-050	4P	M3 x 17T	0.4	176

KD-100



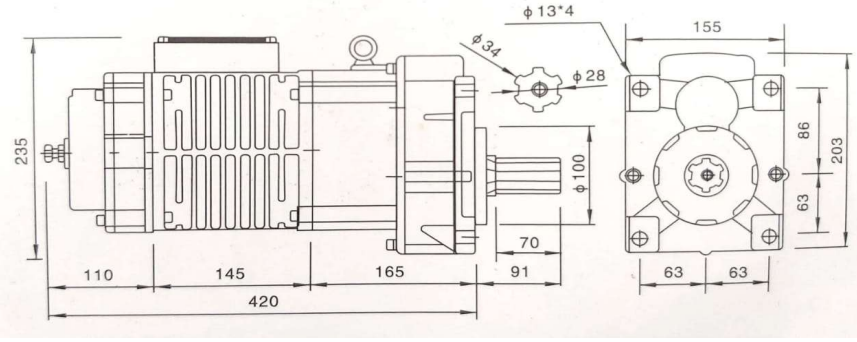
Model	Number of Poles	Gear Teeth	Motor (kw)	Shaft Output 50Hz (rpm)
KD-100	4P	M3 x 17T	0.75	189

KD-150



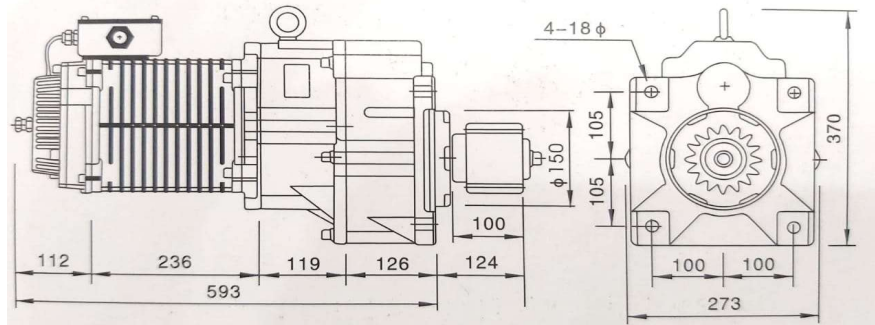
Model	Number of Poles	Gear Teeth	Motor (kw)	Shaft Output 50Hz (rpm)
KD-150	4P	M3 x 17T	0.75	189
	4P	M3 x 22T	1.1	112
	4P	M3 x 30T	1.1	135

KD-150A



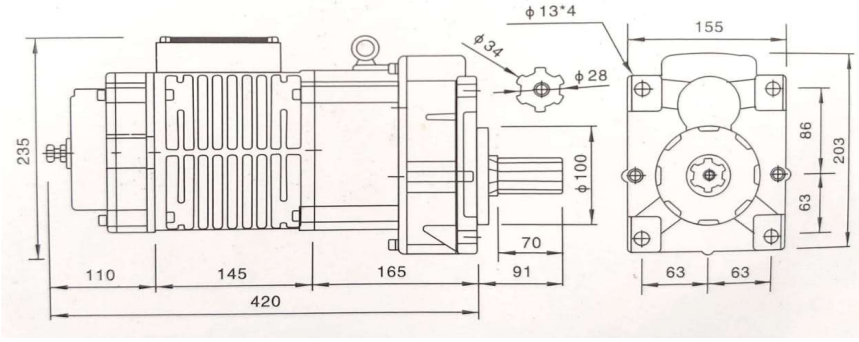
Model	Number of Poles	Gear Teeth	Motor (kw)	Shaft Output 50Hz (rpm)
KD-150A	4P	M3 x 17T	1.1	189

KD-200



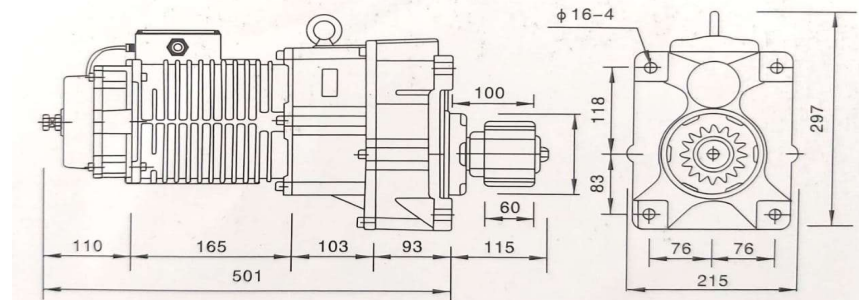
Model	Number of Poles	Gear Teeth	Motor (kw)	Shaft Output 50Hz (rpm)
KD-200	4P	M4 x 25T	1.5	92
	4P	M5 x 25T	1.5	92

KD-300



Model	Number of Poles	Gear Teeth	Motor (kw)	Shaft Output 50Hz (rpm)
KD-300	4P	M4 x 25T	2.2	92
	4P	M6 x 25T	2.2	92

KD-500



Model	Number of Poles	Gear Teeth	Motor (kw)	Shaft Output 50Hz (rpm)
KD-500	4P	M6 x 20T	3.75	92